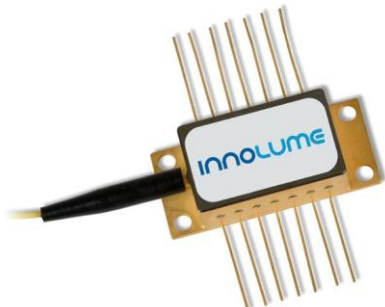


LD-1260-BF-150

High Power Diode Laser module – 150mW @1260nm in single mode fiber



Features:

- InAs/GaAs quantum dot based diode laser
- Low threshold current, high efficiency
- Standard 14 pin butterfly package
- HI1060 single mode fiber with FC/APC connector
- Integrated thermoelectric cooler and thermistor for temperature control

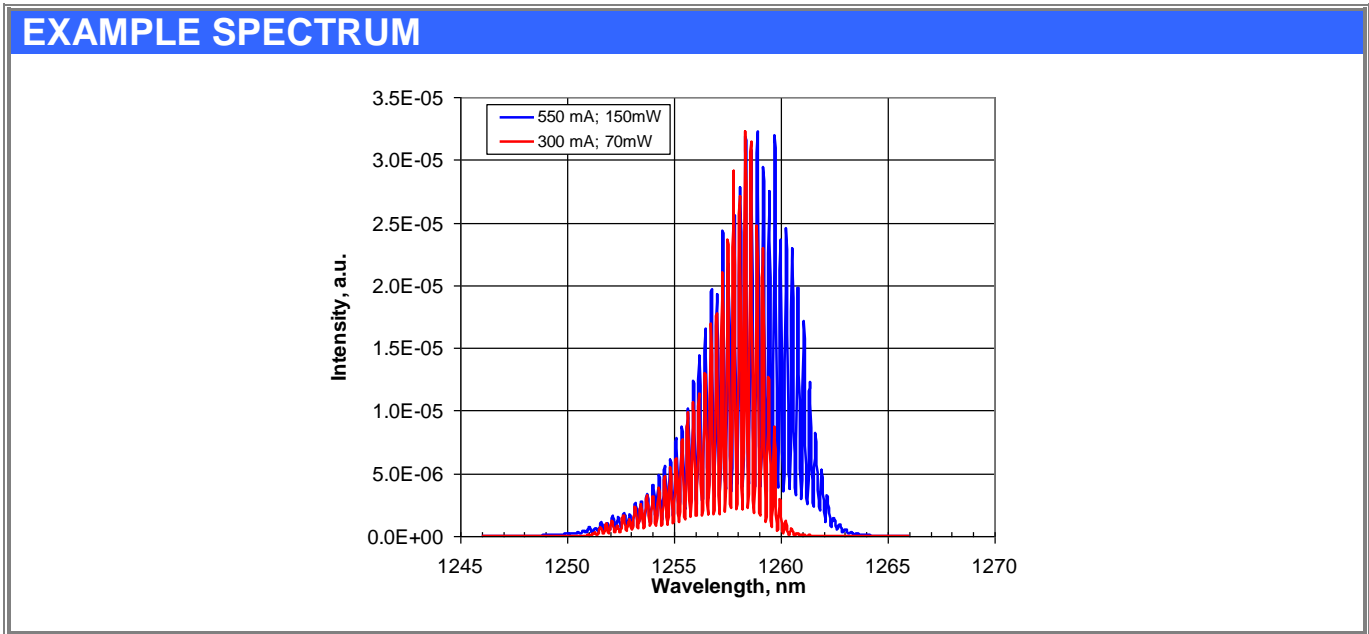
Target Specification
for engineering samples

DATE: 18th Sep. 2008

SPECIFICATIONS

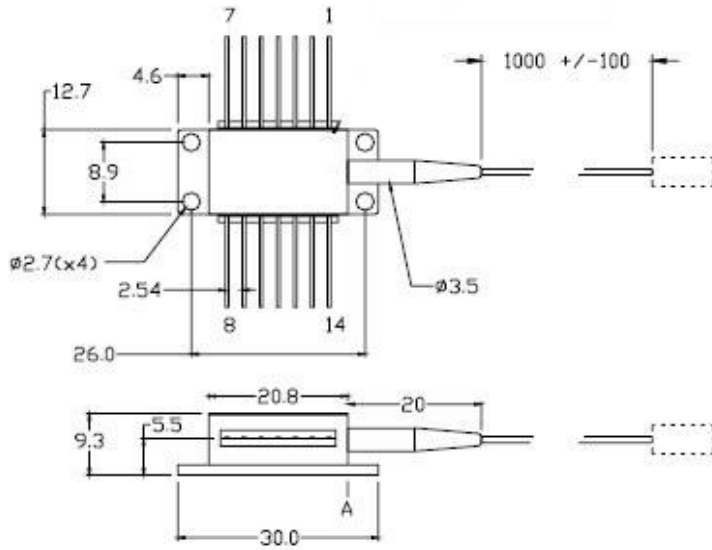
Test conditions: thermistor temperature 25°C, 150mW output power in CW operation

Parameters	Min.	Typ.	Max.	Unit
Optical output power	150			mW
Peak wavelength	1250	1260	1270	nm
Wavelength temperature tunability	0.4	0.5	0.6	nm/°C
Spectral width (FWHM)		8	12	nm
Operating current		550	750	mA
Threshold current	40	70	100	mA
Slope efficiency	0.25	0.32	0.4	W/A
Rise/fall time			3	ns
Thermistor resistance (at 25°C)	9.5	10.0	10.5	kOhm
TEC Current			4	A
TEC Voltage			4.5	V
Case operating temperature	10	25	50	°C



DIMENSIONS

All sizes in mm



Fiber:

HI1060, FC/APC connector

Pin connections:

Pin#	Description	Pin#	Description
1	TEC "+"	8	
2	Thermistor	9	
3		10	LD anode (+)
4		11	LD cathode (-)
5	Thermistor	12	
6		13	Case ground
7		14	TEC "-"