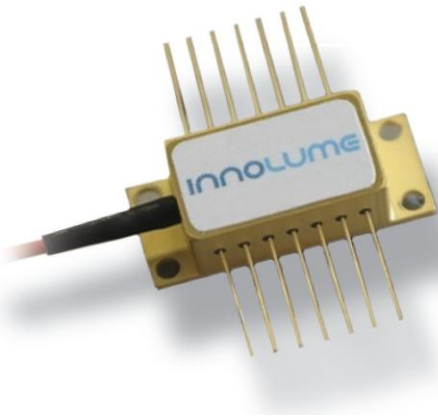


SLD-1170-BF-2

Superluminescent Diode – ultra broad band



Features:

- InAs/GaAs Quantum Dot based SLD
- Ultra broad spectrum
- Standard 14 pin butterfly package
- Integrated thermoelectric cooler and thermistor
- HI1060 single mode fiber with FC/APC connector
- Optional: integrated monitor photodiode
- Optional: polarization maintaining fiber PM980

Applications:

- Medical, Optical Coherence Tomography
- Sensors
- Fiber Optic Gyroscope
- Instrumentation

PRELIMINARY Specification
for engineering samples

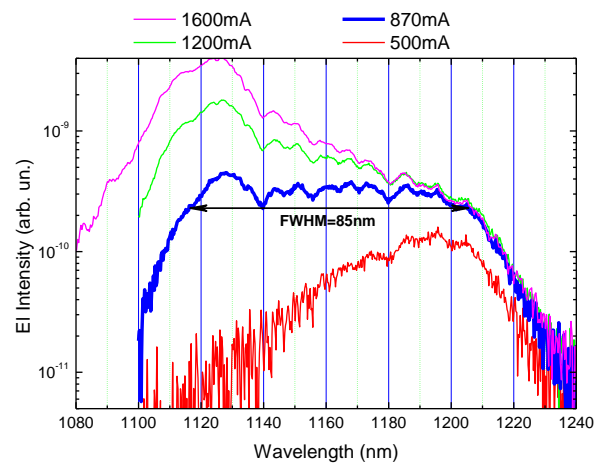
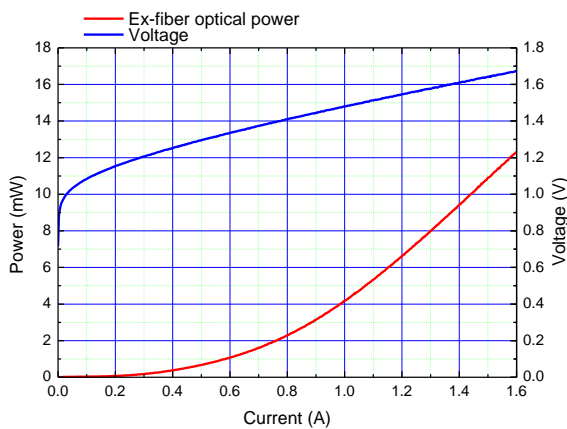
DATE: 8th Jul. 2008

SPECIFICATIONS

Test conditions: thermistor temperature 25°C, output power 5 mW in CW operation mode

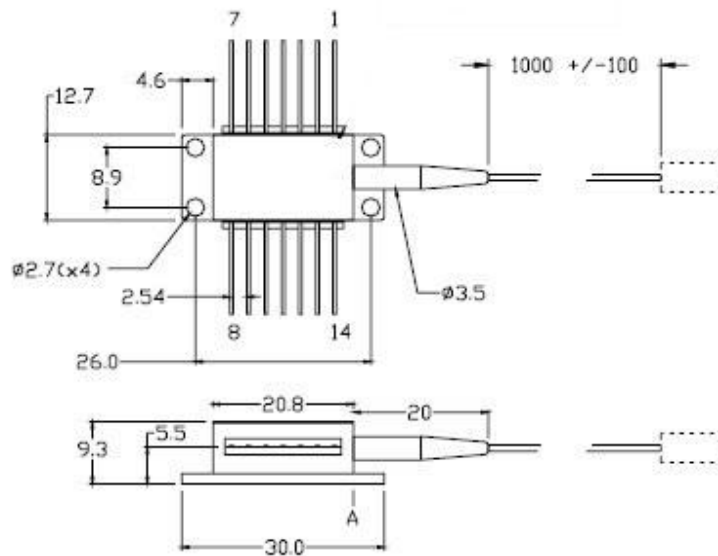
Parameters	Min.	Typ.	Max.	Unit
Optical output power	2	3		mW
Optical bandwidth	75	85		nm
Central wavelength	1150	1170	1190	nm
Cavity ripple (rms) @ I _{OP} ; Res. BW=20pm			0.3	dB
Operating current		900	1300	mA
Forward voltage @ I _{OP}		1.5	1.8	V
Thermistor resistance	9.5	10.0	10.5	kOhm
Case operating temperature	10	25	50	°C

PERFORMANCE



DIMENSIONS

All sizes in mm



Pin identification:

1. TEC "+"
2. Thermistor
- 3.
- 4.
5. Thermistor
- 6.
7. PD cathode
8. PD anode
- 9.
10. SLD anode
11. SLD cathode
- 12.
13. Case
14. TEC "-"